

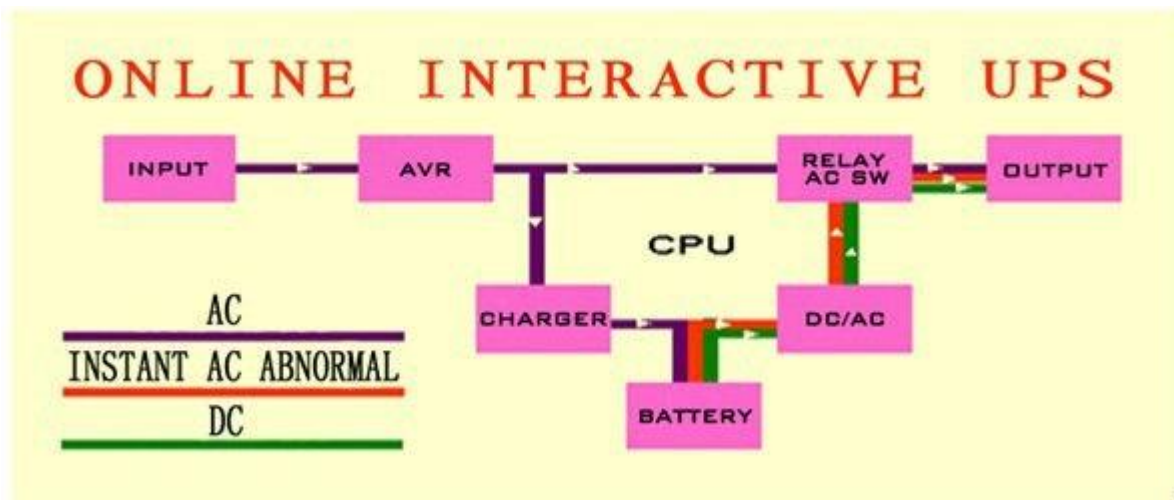
Online interactive UPS without Battery



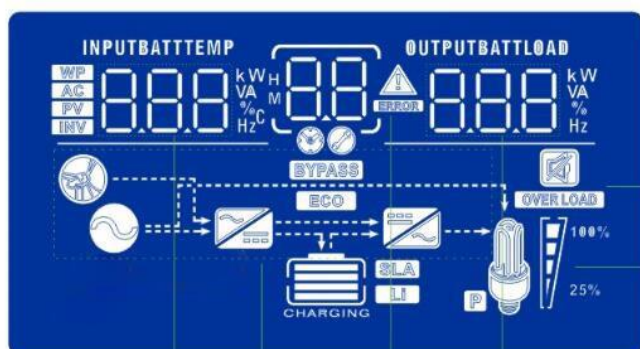
Main Features:

- Wide input range;
- Pure sine wave output and AVR output;
- Selectable charging current based on applications;
- Compatible to mains voltage or generator power;
- Smart battery charger design to optimize battery performance;
- Communication interface: RS232/USB/SNMP/Wifi;-option;
- Stable performance, safe and reliable, long service life.

Working Principle:



LCD Display Information:



Input And Battery Voltage Information

Run Status Information

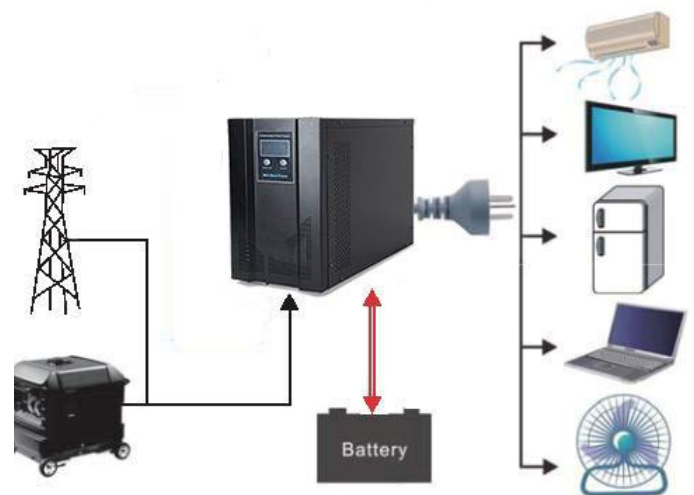
Fault Information

Output And Battery Voltage Information

Load Info

Mute Operation

System Connection:



Datasheet:

Model		GS2K	GS3K
Rate Power		2KVA(1600W)	3KVA(2400W)
Instant power		Three times	
AC Input	Phase	Single Phase	
	Frequency	50Hz \pm 10%	
	AC input	220V(145-275V) (L+N+G)	
	AC AVR output	220VAC (L+N+G) \pm 10%	
AC Charging	Floating charge voltage	28V	
	Overcharge protect voltage	29V	
	Charge current	1~10A standard	
DC voltage	DC voltage	24V	
	Battery No.	2pcs*12v	
	Battery type	lead-acid/gel	
	Battery capacity	Users choose according to actual needs	
	Low voltage protect voltage	21V	
	High voltage protect voltage	29V	
Invert output	Output voltage	220VAC (L+N+G) \pm 1%	
	Frequency	50Hz \pm 0.1%	
	THD	\leq 3% (Linear load)	
	Dynamic response	5% (0%~100% load)	
	Crest factor	3:1	
	Invert efficiency	97%	
Man-machine interface		LCD display	
Alarm		Buzzing and LCD screen flicker	
Protection function		Ac overvoltage, under voltage, DC overvoltage, under voltage, Overload, Output short circuit	
Overload capacity		120% 30s; 125% 10s; 150% 0s	
Communication interface		USB/RS232/SNMP/Wifi (option)	
Protection class		IP21	
Surge handling capability		10/700US,5KVA;8/20US,20KA	
Noise dB		\leq 45db	
Cooling mode		Forced ventilation	
Ambient Temperature		Temperature 0-40°C, relative humidity 10%-90%, elevation<1000m	
Size (L*W*H)		420*195*360mm	420*195*360mm
Weight		11kg	22kg

Tips: The above dimensions and weights are for reference only, and the specific values are subject to the actual product.