

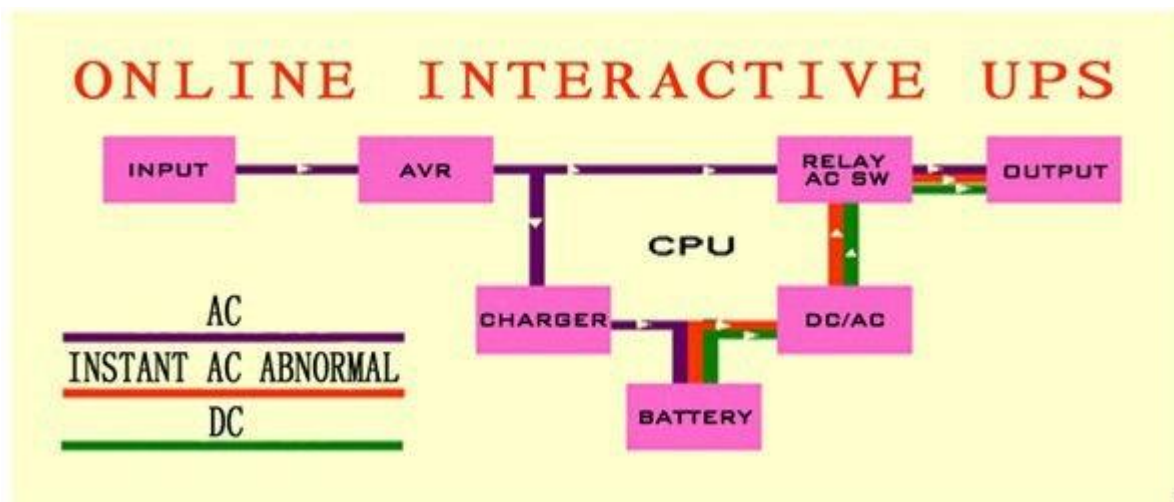
# Online interactive UPS with Battery



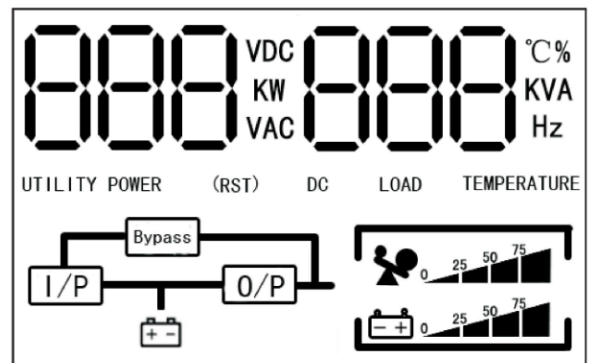
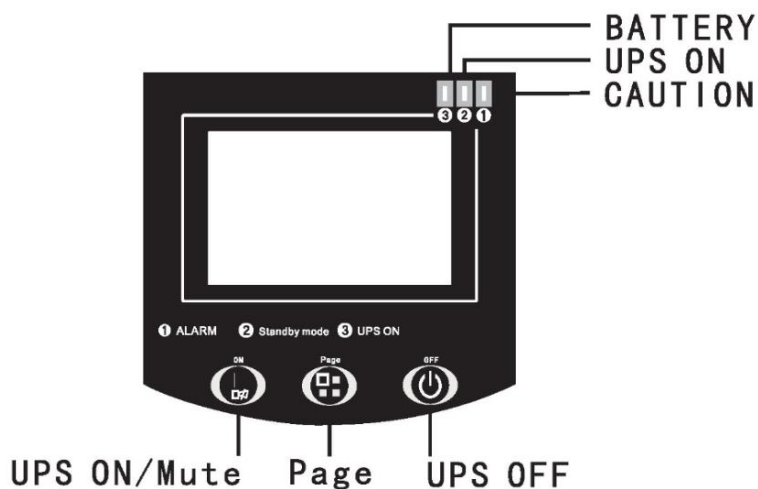
## Main Features:

- Wide input range;
- Pure sine wave output and AVR output;
- With internal battery;
- Selectable charging current based on applications;
- Compatible to mains voltage or generator power;
- Smart battery charger design to optimize battery performance;
- Communication interface: RS232/USB/SNMP;-option;
- Stable performance, safe and reliable, long service life.

## Working Principle:



## LCD Display Information:



**Datasheet:**

Model	C3KS	
Rate Power	3KVA(2400W)	
Instant power	Three times	
AC Input	Phase	Single Phase
	Frequency	50Hz ± 10%
	AC input	220V(145-275V) (L+N+G)
	AC AVR output	220VAC (L+N+G)±10%
AC Charging	Floating charge voltage	87V
	Overcharge protect voltage	93V
	Charge current	1~10A standard
Battery	DC voltage	72V
	Battery No.	6pcs*12v 7ah
	Battery type	Maintenance-free lead-acid battery
Invert output	Output voltage	220VAC (L+N+G)±1%
	Frequency	50Hz ± 0.1%
	THD	≤ 3% (Linear load)
	Dynamic response	5% (0%~100% load)
	Crest factor	3:1
	Invert efficiency	97%
Man-machine interface	LCD+LED	
Alarm	Buzzing and LCD screen flicker	
Protection function	Ac overvoltage, under voltage, DC overvoltage, under voltage, Overload, Output short circuit	
Overload capacity	120% 30s; 125% 10s; 150% 0s	
Communication interface	USB/RS232/SNMP/Wifi (option)	
Protection class	IP21	
Surge handling capability	10/700US,5KVA;8/20US,20KA	
Noise dB	≤45db	
Cooling mode	Forced ventilation	
Ambient Temperature	Temperature 0-40℃, relative humidity 10%-90%, elevation<1000m	
Size (L*W*H)	420*195*360mm	
Weight	32kg	

Tips: The above dimensions and weights are for reference only, and the specific values are subject to the actual product.